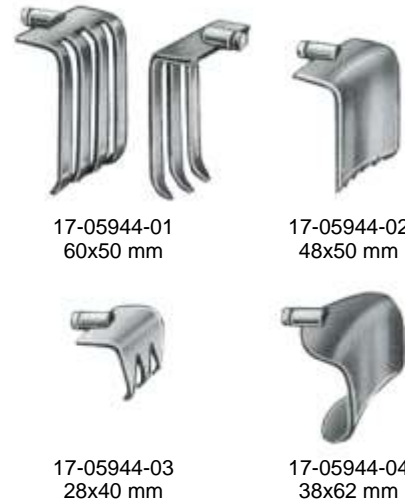


Scoville-Richter
17-05944-00
with 1 pair of blades 17-05944-01

the blades are available by pairs

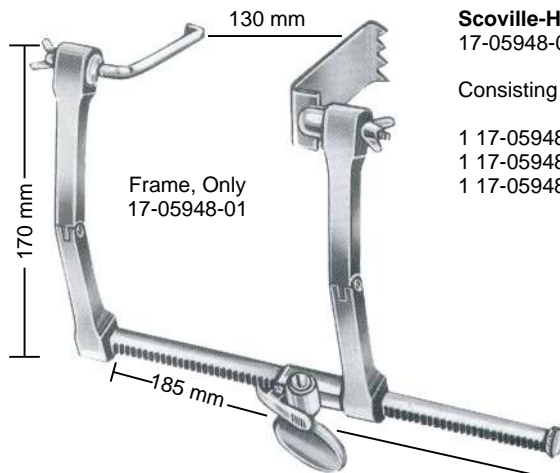


17-05944-01
60x50 mm

17-05944-02
48x50 mm

17-05944-03
28x40 mm

17-05944-04
38x62 mm



Scoville-Haverfield
17-05948-00

Consisting of:

- 1 17-05948-01
- 1 17-05948-02
- 1 17-05948-03

Frame, Only
17-05948-01



Scoville
17-05948-02
51 mm



Scoville
17-05948-03 63x25 mm
17-05948-04 63x51 mm
17-05948-05 67x32 mm
17-05948-06 89x25 mm



Taylor
17-05948-07
48x38 mm



Taylor
17-05948-08 63x51 mm
17-05948-09 79x57 mm